

Recirculating Chiller

Hei-CHILL 700 Pro 115 V / 60 Hz

A FRYKA-Kältetechnik GmbH product
distributed by Heidolph Instruments

Operating instructions

Contents

- EN | Translation of the original operating instructions 3
- 1 Safety 4
 - 1.1 General safety instructions 4
 - 1.2 Explanation of safety instructions..... 4
 - 1.3 Safety symbols 5
 - 1.4 Intended use 5
 - 1.5 Devices with flammable refrigerant..... 6
- 2 Device description 7
 - 2.1 Overview of device elements..... 7
 - 2.2 Refrigeration unit..... 9
 - 2.3 Interface..... 10
 - 2.4 EMC information..... 10
- 3 Commissioning..... 11
 - 3.1 Setting up the device 11
 - 3.2 Connecting the external temperature control circuit 12
 - 3.3 Connecting the device 12
 - 3.4 Coolant..... 13
 - 3.5 Filling the device and switching on for the first time 13
- 4 Control and operation 15
 - 4.1 Control 15
 - 4.2 Coolant level 15
 - 4.3 Pump and flow 15
- 5 Maintenance 17
 - 5.1 Cleaning the condenser 17
 - 5.2 Cleaning the device 17
 - 5.3 Checking the coolant 17
- 6 Troubleshooting..... 18
 - 6.1 Internal thermal protection 18
 - 6.2 Getting the pump running 18
 - 6.3 Status and error messages..... 19
- 7 Decommissioning | Disposal..... 20
 - 7.1 Draining the coolant 20
 - 7.2 Device disposal 20
 - 7.3 Dispose of packaging 20
- 8 Transport | Packaging | Storage..... 21
 - 8.1 Packing and shipping..... 21
 - 8.2 Returning goods..... 21
 - 8.3 Storage..... 21
- 9 Technical data 22
 - 9.1 Scope of delivery..... 23
 - 9.2 Accessories..... 23
 - 9.3 Parts list 23
- 10 Service..... 24
 - 10.1 Warranty statement 24
 - 10.2 Contact information..... 24
- 11 Annex 25
 - 11.1 Declaration of Conformity 25
 - 11.2 Wiring diagram 26
 - 11.3 Refrigeration circuit 27
 - 11.4 China RoHS..... 28
 - 11.5 Certificate of decontamination 30

EN | Translation of the original operating instructions

- ▶ These operating instructions are subject to copyright protection. Any duplication, processing, distribution or other use, in whole or in part, is only permitted with the prior written consent of FRYKA-Kältetechnik GmbH. The operating instructions are intended exclusively for internal use by the purchaser.

1 SAFETY


1.1 GENERAL SAFETY INSTRUCTIONS

- ▶ Read these operating instructions carefully! It is part of the device and contains important information about the device. Keep all documents easily accessible in the immediate vicinity of the device for later use.
- ▶ Make sure that the persons responsible for the device and the users have read and understood the operating instructions completely. Observance of the operating instructions is a basic prerequisite for safe operation of the device and for achieving the specified product characteristics and performance features.
- ▶ FRYKA-Kältetechnik GmbH accepts no liability for personal injury, damage to property or financial loss resulting from non-observance of the operating instructions. Liability for material defects is excluded in such cases.
- ▶ Even when used as intended, hazards cannot be completely ruled out. Despite constructive measures, residual risks remain due to the technical features and the area of application of the device, especially thermal and electrical hazards. Warnings about these residual risks are given on the device and in these operating instructions, as well as possible consequences of non-observance and measures to avoid the hazards. Follow all instructions given.


1.2 EXPLANATION OF SAFETY INSTRUCTIONS

These operating instructions use safety instructions. These are identified by a warning sign and a signal word. The signal word describes the severity of the hazard. Follow all instructions, as well as the associated measures to avoid the hazard, to ensure safe operation of the device.


- ▶ DANGER describes an imminently hazardous situation for the life and health of persons (serious injury or death).

 DANGER	Type / source of danger Possible consequences of non-observance ▶ Measures to avoid the danger
---	--

- ▶ WARNING describes a possibly imminent hazardous situation for the life and health of persons (serious injury or death).

 WARNING	Type / source of danger Possible consequences of non-observance ▶ Measures to avoid the danger
--	--

- ▶ CAUTION describes a possible impending hazardous situation for the life and health of persons (minor injuries).




 CAUTION	Type / source of danger Possible consequences of non-observance ▶ Measures to avoid the danger
--	--

- ▶ NOTICE describes a situation that may lead to damage to property.

NOTE	Type / source of danger Possible consequences of non-observance ▶ Measures to avoid the danger
-------------	--

1.3 SAFETY SYMBOLS


The following pictograms are used on or in the device:

Pictogram	Description
	Refer to instruction manual
	General warning sign Refer to the operating instructions to find out about the type of potential hazard and the measures to avoid it.
	Flammable substances


1.4 INTENDED USE

The **intended use** is the temperature control and circulation of suitable **coolants** (Chapter "**Coolant**" | see page 13) in a closed temperature control circuit in the commercial or industrial sector.

Any use that deviates from this is considered **non-intended** and may impair the protection provided by the device. Among others, the following **reasonably foreseeable misuses** are included.

 WARNING	<p>Non-intended use</p> <p>Personal injury or property damage</p> <ul style="list-style-type: none"> ▸ Only use the device for its intended purpose in accordance with these operating instructions.
--	---

- Installation or operation in a potentially explosive atmosphere.
- Installation or operation in damp rooms or outdoors.
- Use in the household.
- Use as a medical device within the meaning of Regulation (EU) 2017/745.
- The cooling of food.
- Use with an open temperature control circuit.
- Operating the device with unsuitable coolant.
- Operating the device without coolant.
- Operating the device with components in the external temperature control circuit that cannot withstand the pressures of the device.

 WARNING	<p>Operation not in accordance with the intended use due to insufficient qualification</p> <p>Personal injury or property damage</p> <ul style="list-style-type: none"> ▸ The device may only be operated by sufficiently qualified persons who have been instructed in its operation. The operating personnel must have read and understood the safety instructions in these operating instructions. ▸ This device is not intended for persons with physical, sensory or mental impairments, or persons who do not have sufficient experience and knowledge, unless they have been instructed in the use of the device and initially supervised by a person responsible for their safety.
--	--

No modifications may be made to the device by third parties. The manufacturer accepts no liability for damage caused by technical modifications to the device, improper handling, misuse or use of the device in disregard of the operating instructions.

 **WARNING**

- Improper tampering or repairs
- Personal injury or property damage
 - › Only have modifications, repair or maintenance work carried out by the manufacturer or by specialist personnel trained or authorised by the manufacturer.

1.5 DEVICES WITH FLAMMABLE REFRIGERANT

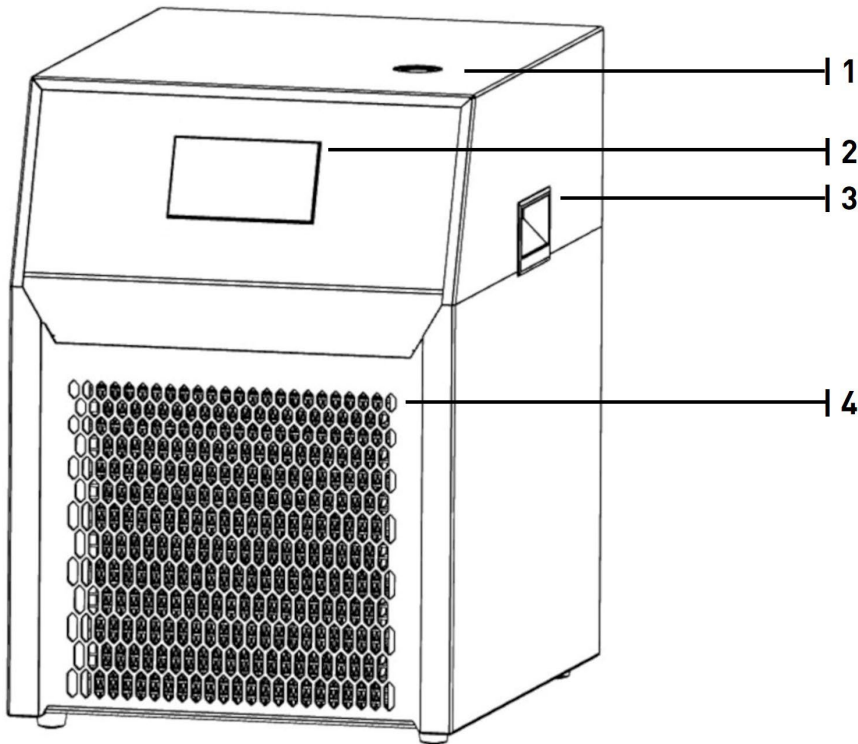
The present device operates with environmentally friendly, energy-efficient refrigerant that has the property of flammability. The refrigeration circuit is designed to be permanently technically tight and has been tested for leaks. Observe the following safety instructions to minimise the residual risks that exist despite the inherently safe design.

 **DANGER**

- Explosion or ignition of leaking refrigerant
- Serious injuries, possibly resulting in death
 - › Do not damage the refrigeration circuit.
 - › In case of damage to the refrigeration circuit:
 - Keep open flames or ignition sources away from the device.
 - Ventilate the room for several minutes.
 - Switch off the device.
 - Notify the manufacturer.
 - Do not discharge the refrigerant into drains or rooms where there is a risk of explosion.
 - Observe the information on minimum room *size* (Chapter "**Setting up the device**" | see page 41).

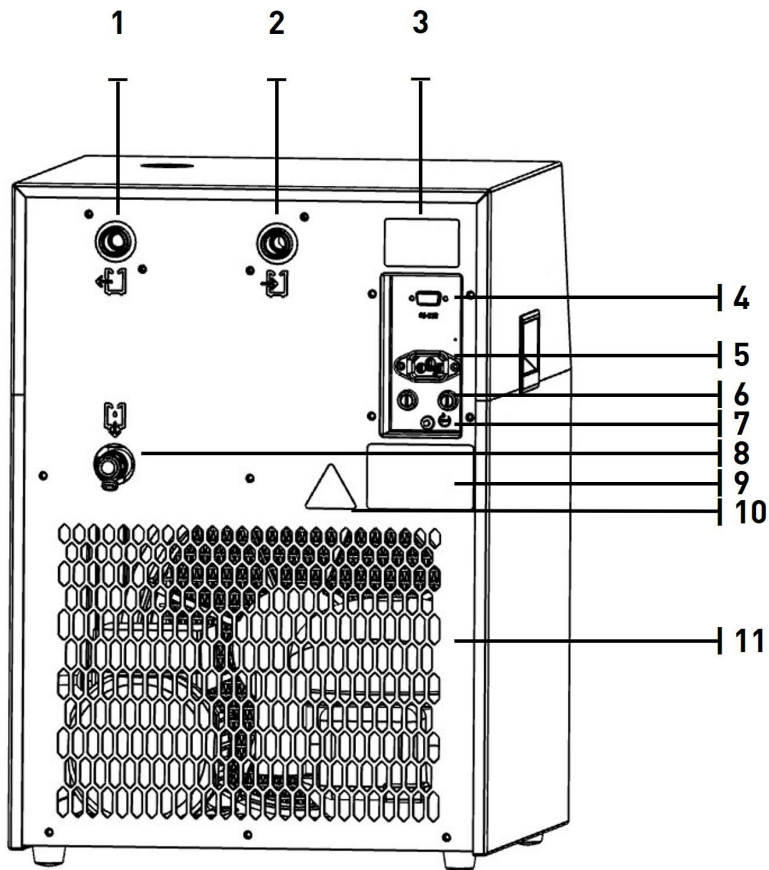
2 DEVICE DESCRIPTION

2.1 OVERVIEW OF DEVICE ELEMENTS



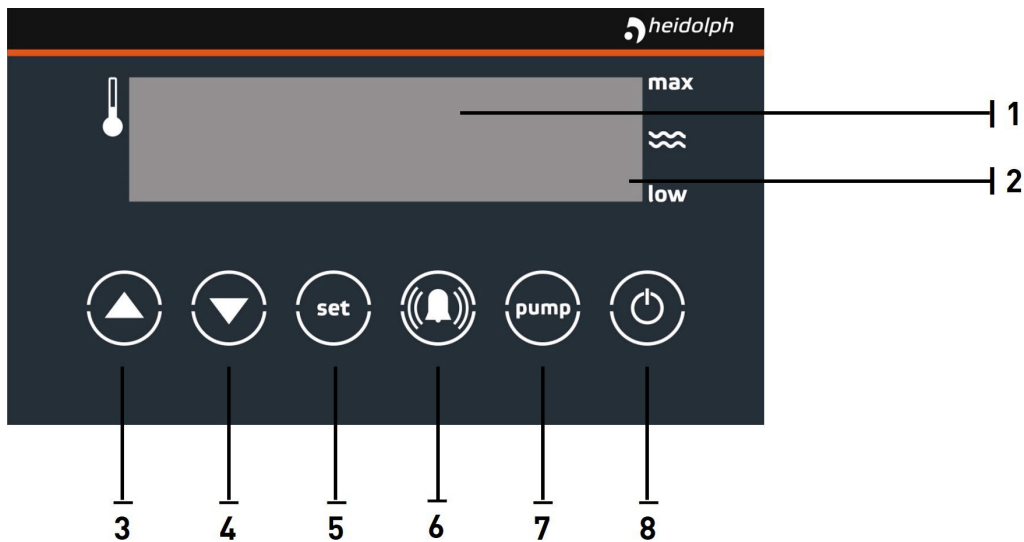
Front view

1	Filler neck with screw plug
2	Control
3	Handles
4	Front grille - Condenser ventilation



Rear view

1	Outlet of the coolant at the recirculating chiller
2	Inlet of the coolant at the recirculating chiller
3	Safety sign (warning open housing)
4	Interface RS-232
5	Mains connection
6	Device fuses
7	Motor circuit breaker pump
8	Drain valve
9	Type plate
10	Safety sign (warning of flammable substances)
11	Ventilation openings



View of the control

1	Display
2	Level indicator
3	"arrow up" button
4	"arrow down" button
5	"set" button
6	"bell" button
7	"pump" button
8	"on/off" button

2.2 REFRIGERATION UNIT

Temperature control circuit

The temperature control circuit of the recirculating chiller consists of

- ▶ a tank in which the coolant is cooled, including a filler neck and drain valve
- ▶ a pump that circulates the coolant (not self-priming) and is equipped with a circuit breaker
- ▶ hose connections to connect the external part of the circuit (customer side)

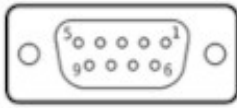
Refrigeration circuit

The refrigeration circuit consists of a permanently technically tight circuit filled with refrigerant. The elementary components are:

- ▶ Compressor: The compressor draws in the gaseous refrigerant and increases the pressure and temperature.
- ▶ Condenser: In the condenser, the heat of the refrigerant is released into the ambient air and the refrigerant condenses. Ventilation is provided by an energy-saving EC fan.
- ▶ Expansion valve: The pressure and temperature of the refrigerant are reduced at the expansion valve.
- ▶ Evaporator: The evaporator (tube heat exchanger) is located in the tank with the coolant. The evaporation of the refrigerant extracts heat from the coolant so that it cools down.

The temperatures for controlling the refrigeration circuit are measured via a PT 100 temperature sensor.

2.3 INTERFACE



Connection via RS232

The 9-pin D-SUB socket is used to connect a Heidolph control.
(Length of the connection cable max. 3m)

2.4 EMC INFORMATION



This device is suitable for household use (Class B) in terms of electromagnetic compatibility as well as in industrial electromagnetic environment (class A).

The device has been tested according to the following standards:

- DIN EN IEC 61000-6-2
- DIN EN IEC 61000-6-3

3 COMMISSIONING

3.1 SETTING UP THE DEVICE

 DANGER	<p>Explosion or ignition of leaking refrigerant</p> <p>Serious injuries, possibly resulting in death</p> <ul style="list-style-type: none"> ▶ The device should not be installed in another system (e.g. plant, machine, enclosure or similar). In the event of a leak in the refrigeration circuit, escaping refrigerant may collect in the system and form an explosive atmosphere. Installation of the device in another system may result in hazards caused by the other system which cannot be controlled by FRYKA. The operator / installer of the overall system is responsible for the safety of the overall system. Ensure that no explosive atmosphere can form when the device is installed in another system if there is a leak in the refrigeration circuit of the device. To do this, observe the instruction on room size below. ▶ Do not cover any fan/ventilation openings in the housing or in the system intended for installation. ▶ After installing the device, wait at least 1 hour before connecting and operating the device. Damage to the refrigerant circuit during transport may result in refrigerant leakage.
 DANGER	<p>Explosion or ignition of leaking refrigerant</p> <p>Serious injuries, possibly resulting in death</p> <ul style="list-style-type: none"> ▶ Prevent the formation of an explosive atmosphere of more than 8g refrigerant per m³ room air: ▶ Determine the minimum room size based on the refrigerant quantity in the refrigerant circuit (see type plate). ▶ Only install the device in a sufficiently large room. ▶ Take furniture and inventory into account in the calculation, as these reduce the room air volume. ▶ Example: The minimum volume of the installation room in m³ is calculated from the refrigerant quantity (g) / 8g/m³. For a refrigeration circuit with 100g refrigerant this means: $100\text{g} / 8\text{g/m}^3 = 12.5\text{m}^3$. With a standard room height (2.40 m), this corresponds to a floor area of 5.2m². In the case of added rooms, it is recommended to double the floor space, i.e. a minimum floor space of 10.4m² results.

Installation conditions valid for safe operation:

- ▶ Indoors only
- ▶ Installation altitude up to 2000 m above sea level
- ▶ Ambient temperature/humidity: 5°C to 31°C relative humidity ≤ 80%, decreasing linearly up to 50% relative humidity at 40°C.
- ▶ Pollution degree 2 (DIN EN 61010-1)
- ▶ Supply voltage fluctuations up to 10% of the nominal voltage

⚠ CAUTION

Overturning, falling or rolling away of the device

Impact/crush

- › Set up the device together with a second person on a level and even surface.
- › Ensure that the surface is non-slip and has sufficient load-bearing capacity.
- › Make sure that the device is stable.
- › Do not tilt the device.
- › Lock the brakes on the castors if available.

- › Only set up the device in a suitable location.
- › The installation location must not be exposed to direct sunlight and must not be near a heat source such as radiators.
- › Set up the device in such a way that optimum ventilation is ensured so that the waste heat generated can be dissipated. To do this, keep at least 30 cm away from the nearest object (wall, etc.) at the ventilation openings.

NOTE

Unsuitable installation location

Defect of the device

- › Avoid excessive heat load.
- › Ensure adequate ventilation of the device.
- › Do not cover the ventilation openings.
- › Do not operate the device in an inclined position.

3.2 CONNECTING THE EXTERNAL TEMPERATURE CONTROL CIRCUIT

⚠ WARNING

Bursting of components in the external temperature control circuit

Frostbite, cutting

- › Before commissioning, determine the max. permissible pressure for the external circuit. This is determined by the weakest link (e.g. glass apparatus). Make sure that this is higher than the maximum pressure of the circulation pump.
- › Prevent the hoses from kinking.

⚠ CAUTION

Leakage of coolant due to unsuitable or defective hoses/hose connections

Frostbite

- › Only use thermally insulated hoses and hose connections approved for the temperature range, coolant and pressures.
- › Check the hoses for material fatigue at regular intervals and replace them if necessary.
- › Secure the hoses at the connections with hose clamps against slipping off.

Make the connection to your application using hoses:

These must be pressure-resistant up to at least 5 bar and suitable for the temperature range and the coolant used. Suitable hoses are available from the manufacturer as accessories.

- › Connect the right-hand hose connection (inlet) to the return of your system.
- › Connect the left-hand hose connection (outlet) to the flow of your system.
- › Secure the hoses at the hose connections with hose clamps.
- › Check the tightness and firm fit of the hose clamps.

3.3 CONNECTING THE DEVICE

⚠ DANGER

Explosion or ignition of leaking refrigerant due to damage to the refrigeration circuit during transport.

Serious injury, possibly resulting in death.

- ▶ Wait at least 1 hour after setting up the device before connecting it and putting it into operation.

⚠ DANGER

- Incorrect electrical connection
Fire or electric shock
- ▶ Only connect the device directly to a properly installed socket outlet with a protective earth contact.
 - ▶ The socket must be fused with a maximum of 16A slow-blow.
 - ▶ Check the device for damage before each use.
 - ▶ Only use cables approved by the manufacturer.
 - ▶ Detachable supply cables must not be replaced by inadequately dimensioned supply cables.
 - ▶ Do not operate the device if it is damaged or has a damaged supply cable.
 - ▶ Have damaged supply cables replaced by a qualified electrician.

NOTE

- Connection to impermissible mains voltage, current type or frequency
Defect of the device
- ▶ Operate the device only with the mains voltage, current type and frequency specified on the type plate.

- ▶ The mains connection is located on the back of the device.
- ▶ Connect the mains cable supplied first to the mains connector plug and then to the mains socket of the house installation.
- ▶ The mains connection serves as a mains disconnection. Position the device so that access is easy and disconnection from the mains is not difficult.

3.4 COOLANT

The coolant used must meet certain requirements. Therefore, only use the non-flammable coolant HKF 15.1 POF ECO provided by the manufacturer to ensure optimum and safe operation of the device. If a different coolant is used, there is no warranty or liability for damage.

⚠ CAUTION

- Non-observance with the instructions in the safety data sheet of the temperature control fluid.
Injuries
- ▶ Follow the instructions in the safety data sheet of the coolant, in particular the instructions on the use of suitable personal protective equipment (PPE), especially the wearing of safety goggles, protective gloves and protective clothing.

NOTE

- Use of the recommended coolant outside the approved specifications
Defect of the device
- ▶ The coolant supplied is not suitable for steel and galvanized steel and must therefore not come into contact with these materials in the entire circuit.
 - ▶ The coolant supplied may only be used undiluted. Do not mix the temperature control fluid with tap water.
 - ▶ Check the pH value of the coolant supplied annually. If the value is below 7 (acidic), the coolant must be replaced to prevent damage to the temperature control circuit. Replace the coolant at the latest when it becomes very discoloured, smells or the tempering fluid circuit becomes clogged.
 - ▶ Protect the coolant from sunlight.

3.5 FILLING THE DEVICE AND SWITCHING ON FOR THE FIRST TIME

⚠ DANGER

- Coolant in the device
Fire/electric shock
- ▶ Do not fill the device via a water pipe, the pressure will destroy the heat exchanger.
 - ▶ Do not overfill the device. Observe the fill level indicator.
 - ▶ Do not pour any coolant over the device.

After the external circuit has been established, you can fill the device with coolant:

- ▶ Close the drain valve on the back of the device.
- ▶ Remove the screw plug from the filler neck on the top of the device and fill with coolant.
- ▶ Observe the level indicator on the control during the filling process. The device must be filled with between 8.0 and 9.0 litres of coolant.
- ▶ Now switch on the recirculating chiller. To do this, touch the "on/off" button for several seconds. The pump and the cooling system will then go into operation.
- ▶ The fill level drops as the filled-in coolant is now pumped into the external circuit.
- ▶ Top up with coolant until the external circuit and the recirculating chiller are sufficiently filled.
- ▶ Replace the sealing plug. The device is now ready for operation.

4 CONTROL AND OPERATION

4.1 CONTROL

The device is in standby mode after the mains connection has been established. This state is indicated on the display by a lit LED in the upper left corner.

Switch on: Touch the "on/off" button for several seconds.
The circulation by the pump and the cooling then start automatically.
The display shows the current temperature of the coolant and the fill level.

Changing the desired temperature: The desired temperature is shown when you touch the "set" button.
To change the desired temperature, use the arrow up / down arrow button while simultaneously touching the "set" button.

Switching off: To switch the device off, touch the "on/off" button again for several seconds. The pump and the cooling are switched off in response.

Adjust language: The controller offers the possibility to change the language of the alarm messages. For this, the parameter "Lo5" must be changed:

- ▶ Simultaneously press the arrow-up button and the arrow-down button until the display shows "PAE".
- ▶ Press the "arrow-up" button until "USr" appears in the display.
- ▶ Press the "set" button until "C1" appears.
- ▶ Now scroll with the "arrow-down" button until the value "Lo5" appears.
- ▶ Pressing the set button displays the set value of the parameter.
By additionally pressing the arrow-up or arrow-down button you can now set the desired value: "0" = German, "1" = English. When you release the set button, the value is saved automatically.
- ▶ To exit the parameter levels, you must simultaneously press and hold the two arrow buttons until the display changes. Repeat this process until the original display appears again.

4.2 COOLANT LEVEL

The coolant level is shown on the right side of the display with a bar indicating the level between the limits "min" and "max". The level display is always active, even in standby mode.

If the coolant level is too low, an alarm message is issued. However, this only occurs when the device is in operation, not in standby mode.

The alarm message is issued if there is not enough coolant. The pump cannot be switched on in this state.

If the coolant level falls too low only when the pump is already operating, the pump is switched off.

The alarm is indicated acoustically and by the flashing of the level indicator and the error message "Water shortage / Dry run". Fill the chiller with coolant and reset the alarm by pressing the "bell" button. The pump restarts automatically.

4.3 PUMP AND FLOW

Proper operation of the pump is indicated by a bar running slowly to the right at the bottom of the display.

The pump can also be operated without cooling. To do this, press the "pump" button when it is switched off. The system then only circulates the liquid, e.g. to vent the temperature control circuit.

The button is switched inactive during cooling operation, i.e. the pump cannot be switched off during cooling operation to prevent the heat exchanger from freezing.


NOTE

Operation of the pump with blocked temperature control circuit


Impermissibly high pressure in the temperature control circuit

- › The temperature control circuit must not be interrupted or shut off.
- › Remove blockages in the temperature control circuit.

5 MAINTENANCE

 DANGER	<p>Live parts / moving parts</p> <p>Electric shock / injuries</p> <ul style="list-style-type: none"> ▸ Disconnect the device from the mains before carrying out any maintenance work.
---	--


5.1 CLEANING THE CONDENSER

 DANGER	<p>Explosion or ignition of leaking refrigerant</p> <p>Serious injuries, possibly resulting in death</p> <ul style="list-style-type: none"> ▸ Maintenance work may only be carried out by instructed, competent personnel. ▸ Do not damage the condenser or other parts of the refrigeration circuit piping.
---	--

NOTE	<p>Dirty condenser fins</p> <p>Overheating and defect of the device</p> <ul style="list-style-type: none"> ▸ Depending on the degree of soiling at the installation site, but at least every 6 months, clean the condenser of the device.
-------------	--

- Switch off the device.
- Disconnect the device from the mains.
- The condenser is located at the front of the device.
- Slide the front grille of the condenser upwards until you can remove it.
- Clean the condenser very carefully with compressed air or a hand broom/vacuum cleaner. Be careful not to bend the fins. Bent fins will result in reduced cooling capacity.
- Replace the front grille.

5.2 CLEANING THE DEVICE

 DANGER	<p>Liquid in the device</p> <p>Electric shock</p> <ul style="list-style-type: none"> ▸ Do not spill liquid on the device.
---	--

- Switch off the device.
- Disconnect the device from the mains.
- Wipe the device with a damp cloth. Do not use any aggressive cleaners or cleaning agents containing solvents on the plastic surfaces.

5.3 CHECKING THE COOLANT

Check the pH value of the coolant supplied annually. If the value is below 7 (acidic), the coolant must be replaced to prevent damage to the temperature control circuit.

Replace the coolant at the latest when it becomes very discoloured, smells or the temperature control circuit becomes clogged.

6 TROUBLESHOOTING

⚠ DANGER	<p>Live parts / moving parts</p> <p>Electric shock / injuries</p> <ul style="list-style-type: none"> ▸ Disconnect the device from the mains before carrying out any repair work.
⚠ WARNING	<p>Improper tampering or repairs</p> <p>significant personal injury and/or damage to property</p> <ul style="list-style-type: none"> ▸ Repair work or tampering with the refrigeration unit may only be carried out by the manufacturer or by qualified personnel authorised by the manufacturer. ▸ Components and parts of the refrigeration circuit must be replaced with original parts to avoid the risk of possible refrigerant ignition.
⚠ CAUTION	<p>Components with high temperature</p> <p>Burning</p> <ul style="list-style-type: none"> ▸ Bring the device to room temperature before starting work.

- In the event of an error, an optical and acoustic alarm is emitted.
- The corresponding message is shown on the display.
- An overview of status and error messages can be found in the table at the end of this chapter.
- For further information and help with faults and error messages, please contact the manufacturer.

6.1 INTERNAL THERMAL PROTECTION

The compressors of the refrigeration circuit are equipped with internal thermal protection. In the event of overheating, this switches off the compressors and thus the cooling. The actual temperature then rises and a temperature alarm is triggered.

Check the following possible causes:

- Is the condenser dirty?
- Is the ambient temperature too high?
- Is optimal ventilation of the device ensured?
- Are the fans operating?
- The cooling is switched on again automatically after the compressor has cooled down (approx. 1-2 hours).

6.2 GETTING THE PUMP RUNNING

After the device has not been used for a long time, it may happen that no flow is built up in the temperature control circuit because the pump impeller has seized up, causing the motor protection switch to trip.





- Switch off the device and disconnect it from the mains to prevent the pump from starting unintentionally.
- The pump is located behind the ventilation openings of the rear wall on the left side.
- Through the grille, turn the pump shaft clockwise two to three turns with a flat-blade screwdriver until it turns easily.
- Press the motor protection switch under the rubber cap. This is also located on the back of the device below the mains plug for the supply cable.
- Acknowledge the error message with the "bell" button.
- The device can now be put into operation as usual.

6.3 STATUS AND ERROR MESSAGES

Fault/error message	Description	Cause	Remedy
F1 Sensor fails	Sensor error F1	Sensor F1 has a fault and must be replaced.	Please contact the manufacturer.
F2 Sensor fails	Sensor error F2	Sensor F2 has a fault and must be replaced.	Please contact the manufacturer.
F3 Sensor fails	Sensor error F3	Sensor F3 has a fault and must be replaced.	Please contact the manufacturer.
F6 Sensor fails	Sensor error F6	Sensor F6 has a fault and must be replaced.	Please contact the manufacturer.
Temp. too high	The temperature of the coolant is too high.	The cooling output is insufficient, the refrigeration unit may be faulty.	<ul style="list-style-type: none"> - Clean the condenser (Chapter "Cleaning the condenser" see page 47). - Inspect the fan. - Ambient temperature too high (> 35°C)? - Is the chiller optimally ventilated? - Switch the chiller off, leave for 1–2 hours and then switch on again.
Temp. too low	The temperature of the coolant is too low.	<p>If option O4 (voltage input for external setpoint specification) is installed in the unit, but no voltage source is connected to the voltage input, the unit regulates according to the setpoint that corresponds to 0V. In the standard case, this corresponds to -50°C</p> <p>The controller relay for cooling is defective and no longer opens. The refrigeration unit is running continuously.</p>	<p>The external setpoint input option must be deactivated in the parameters.</p> <p>Control system is faulty, send the chiller to the manufacturer for repairs.</p>
Unit overheated	The unit becomes too hot, the refrigeration unit is switched off.	The unit can not dissipate enough heat.	<ul style="list-style-type: none"> - Clean the condenser (Chapter "Cleaning the condenser" see page 47). - Inspect the fan. - Ambient temperature too high (> 35°C)? - Is the chiller optimally ventilated? - Switch the chiller off, leave for 1–2 hours and then switch on again.
Water shortage / Dry run	Alarm warning before the coolant level falls too low.	There is too little coolant in the chiller.	Add coolant, acknowledge error message using the "bell" button.
High pressure	The high pressure switch in the refrigeration circuit has tripped.	The pressure in the refrigeration circuit is too high, usually the unit cannot dissipate enough heat.	<ul style="list-style-type: none"> - Clean the condenser (Chapter "Cleaning the condenser" see page 47). - Inspect the fan. - Ambient temperature too high (> 35°C)? - Is the chiller optimally ventilated? <p>After these checks, the device can be put back into operation by pressing the "bell" button. If the error occurs repeatedly, contact the manufacturer.</p>
Flow too low	Not enough coolant is flowing in the refrigeration circuit (< 1 litre/min)	<p>The pump is stuck or the motor protection switch has tripped.</p> <p>The pump is defective.</p>	<p>Getting the pump running (Chapter "Getting the pump running" see page 48).</p> <p>Please contact the manufacturer.</p>

7 DECOMMISSIONING | DISPOSAL

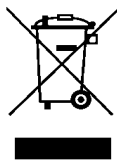
7.1 DRAINING THE COOLANT

 WARNING	<p>Contact with cold coolant</p> <p>Frostbite</p> <ul style="list-style-type: none"> ▸ Bring the device with the coolant to room temperature before emptying.
 CAUTION	<p>Non-observance with the instructions in the safety data sheet of the temperature control fluid.</p> <p>Injuries</p> <ul style="list-style-type: none"> ▸ Follow the instructions in the safety data sheet of the coolant, in particular the instructions on the use of suitable personal protective equipment (PPE), especially the wearing of safety goggles, protective gloves and protective clothing.

- Switch off the device.
- Place a sufficiently large container under the drain valve.
- Open the drain valve. The coolant now flows out of the device.
- Close the drain valve again so that there is no leakage the next time the device is filled.
- Observe the instructions for disposal in the safety data sheet and any local regulations.


7.2 DEVICE DISPOSAL

Old devices are not worthless waste. Valuable raw materials can be recovered through environmentally sound disposal.



- FRYKA devices are marked with the symbol of the crossed-out wheeled bin with bar (electrical and electronic appliances placed on the market after 13.08.2005). The devices must be collected separately from unsorted municipal waste (household waste) in accordance with Directive 2012/19/EU.
- FRYKA devices are intended exclusively for commercial use and may therefore not be disposed of at public collection points (public waste disposal authorities).
- Dispose of the device properly via a primary treatment facility certified in accordance with the Electrical and Electronic Equipment Act (ElektroG) or contact the dealer or manufacturer from whom you purchased the appliance. FRYKA will take back devices of its own manufacture from the year of manufacture 2001 that were sold to commercial end customers and dispose of them properly. For this purpose, the end customer must return the devices free of charge and, before sending them, must free them from sources of infection or toxic substances and declare in a legally binding manner that the device is free from such harmful contamination.
- We are registered as a manufacturer with the "stiftung elektro-altgeräte register" under the registration number DE85076546.
- Please note the information on *shipping* (Chapter "**Packing and shipping**" | see page 52).

The device contains flammable refrigerants in a hermetically sealed circuit. Therefore, do not damage the disused device at the refrigeration circuit so that the contained refrigerant and oil cannot escape in an uncontrolled manner.

 DANGER	<p>Explosion or ignition of the refrigerant</p> <p>Health damages</p> <ul style="list-style-type: none"> ▸ Do not damage the refrigeration circuit. ▸ Disposal may only be carried out by a specialist company.
---	---

7.3 DISPOSE OF PACKAGING

The packaging protects your device from damage in shipping. Please help: Dispose of the packaging in an environmentally friendly manner in accordance with the legal requirements.

8 TRANSPORT | PACKAGING | STORAGE


8.1 PACKING AND SHIPPING

If the device is to be transported or shipped, observe the following instructions:

- ▶ Follow the instructions in the chapter "Draining the coolant".
- ▶ Clean and decontaminate the device.
- ▶ Pack the device in the original packaging.
- ▶ Only ship the device upright, never lying down.
- ▶ Ship the device upright on a pallet by forwarding agent.

NOTE	<p>Unsuitable packaging and transport</p> <p>Defect of the device</p> <ul style="list-style-type: none"> ▶ Pack the device sufficiently securely. ▶ Transport the device according to the above specifications.
-------------	---

8.2 RETURNING GOODS

 WARNING	<p>Risk of poisoning or infection from toxic or infectious substances</p> <p>Damage to health</p> <ul style="list-style-type: none"> ▶ Never ship contaminated devices. ▶ Decontaminate the device from poisonous or infectious substances before shipment.
--	---

- ▶ If you are returning goods, e.g. for repair, please complete the **certificate of decontamination** (Chapter "**Certificate of decontamination**" | see page 61) and enclose it with the returned goods.

8.3 STORAGE

- ▶ Only store the device completely emptied and cleaned.
- ▶ If possible, pack the device in the original packaging or in similarly suitable packaging to avoid damage.

Storage conditions:

- ▶ In dry indoor rooms
- ▶ Upright, to avoid damage to the refrigeration circuit.
- ▶ Permissible ambient temperature: 5 to 40 °C
- ▶ Permissible ambient humidity: max. 70% relative humidity, non-condensing

9 TECHNICAL DATA

Working temperature range	-10°C bis +40°C
Control accuracy at -10°C	+/- 0,5 K
Display resolution	0,1 K
Cooling capacity	
at 20°C	700 W
at 10°C	550 W
at 0°C	350 W
at -10°C	120 W
Circulation pump	
Flow rate [max.]	10,5 l/min
Flow pressure [max.]	2,8 bar
Hose connections	3/8" female thread
Coolant tank	5,5 to 9,0 l
External dimensions [WxDxH]	355 x 455 x 505 mm
Installation dimensions [WxD]	355 x 755 mm
Weight	39 kg
Noise level [distance 1m]	52 dB(A)
Permitted ambient temperature range	5°C to 40°C
Max. temperature of coolant	60°C
Electrical connection	115 V / 60 Hz
Power consumption	670 W
Current [max.]	6,8 A
Protection class	IP 20
Class. acc. DIN 12876	I / NFL
Max. operating pressure	25 bar
Refrigerant	R290 (GWP 3*)

- ▶ The refrigeration circuit is permanently technically sealed and tested for tightness and overpressure resistance
- ▶ For filling quantities see the type label
- ▶ All data refer to nominal voltage and nominal frequency. Ambient temperature 20°C
- ▶ Technical data according to DIN 12876

* GWP: Global Warming Potential according to IPCC IV

9.1 SCOPE OF DELIVERY

Description	Quantity
Recirculating chiller	1
Mains cable	1
Operating instructions	1
Hose connections for hose diameter 8mm incl. sealing ring	2
Spanner for the filler neck screw plug	1
Bleed key	1

9.2 ACCESSORIES

Description
Coolant HKF 15.1 POF ECO 5 litres
Coolant HKF 15.1 POF ECO 2x5 litres

9.3 PARTS LIST

Code	Description
AS	Port D-SUB / RS 232
E1	Thermostatic expansion valve
F1	Temperature sensor controller
F2	Temperature sensor monitoring condensing temperature
Ft1	Filter dryer
G	Gateway
K6	Relay
KS	Mains connection socket
M1	Compressor
M2	Fan motor W1G230 115V trimmed
M3	Pump LNY 2951.0616 insulated, with hose connections
NF	Mains filter
PSH	Pressure switch
R	Mainboard
R1	Potentiometer adjustment level indicator
S1	Motor protecting switch pump
S2	Float switch min-level
S3	Float switch max-level
S4	Fuse 5/2 10A slow-blow (T)
S5	Fuse 5/2 10A slow-blow (T)
S6	Flow switch FS1P with resistors
WT1	Condenser
WT2	Heat exchanger HC 700 115V

10 SERVICE

10.1 WARRANTY STATEMENT

Heidolph Instruments GmbH & Co. KG provides a three-year warranty against material and manufacturing defects. Glass and wear parts, transportation damage, and damage resulting from improper handling or non-intended use of the product are excluded from the warranty.

The warranty period for registered products begins on the date of purchase. Register the product with the enclosed warranty card or on our homepage www.heidolph.com.

For non-registered products, the warranty period begins with the date of the serial production (to be determined by the serial number).

In the event of material or manufacturing defects, the product will either be repaired or replaced free of charge within the warranty period.

10.2 CONTACT INFORMATION

Manufacturer and distributor

FRYKA-Kältetechnik GmbH
Ohmstraße 4
73730 Esslingen
Germany


Sales, Service und Support

Heidolph Instruments GmbH & Co. KG
Technical Service
Walpersdorfer Str. 12
D-91126 Schwabach/Deutschland
E-Mail: service@heidolph.de

Heidolph Instruments North America
E-mail: service@heidolph.com
www.heidolphNA.com

11 ANNEX

11.1 DECLARATION OF CONFORMITY



EG-KONFORMITÄTSERKLÄRUNG

EC Declaration of Conformity

Hersteller:	FRYKA-Kältetechnik GmbH
<i>Manufacturer:</i>	
Anschrift:	Ohmstraße 4, 73730 Esslingen, Deutschland
<i>Address:</i>	
Produkt:	Umlaufkühler
<i>Product:</i>	<i>Recirculating Chiller</i>
Typen:	Hei-CHILL 700 Pro 230V 50Hz, Hei-CHILL 700 Pro 115V 60Hz US,
<i>Types:</i>	Hei-CHILL 1100 Pro 230V 50Hz, Hei-CHILL 1100 Pro 115V 60Hz US
Seriennummer:	ab 72250
<i>Serial number:</i>	<i>from 72250</i>


Hiermit erklären wir in alleiniger Verantwortung, dass die genannten Maschinen in ihrer Konzipierung und Bauart, sowie in der von uns in Verkehr gebrachten Ausführung den einschlägigen Bestimmungen der folgenden Richtlinien entsprechen:

We hereby declare under our sole responsibility that the machines mentioned comply with the relevant provisions of the following directives in their design and construction as well as in the version placed on the market by us:

2006/42/EG	Maschinenrichtlinie vom 17. Mai 2006
<i>2006/42/EG</i>	<i>Machinery Directive of 17 May 2006</i>
2014/30/EU	EMV-Richtlinie vom 26. Februar 2014
<i>2014/30/EU</i>	<i>EMC DIRECTIVE of 26 February 2014</i>
2011/65/EU	RoHS-Richtlinie vom 8. Juni 2011
[EU] 2015/863	Delegierte (RoHS-) Richtlinie vom 31. März 2015
<i>2011/65/EU</i>	<i>RoHS Directive of 8 June 2011</i>
<i>[EU] 2015/863</i>	<i>Delegated (RoHS-) Directive of 31 March 2015</i>

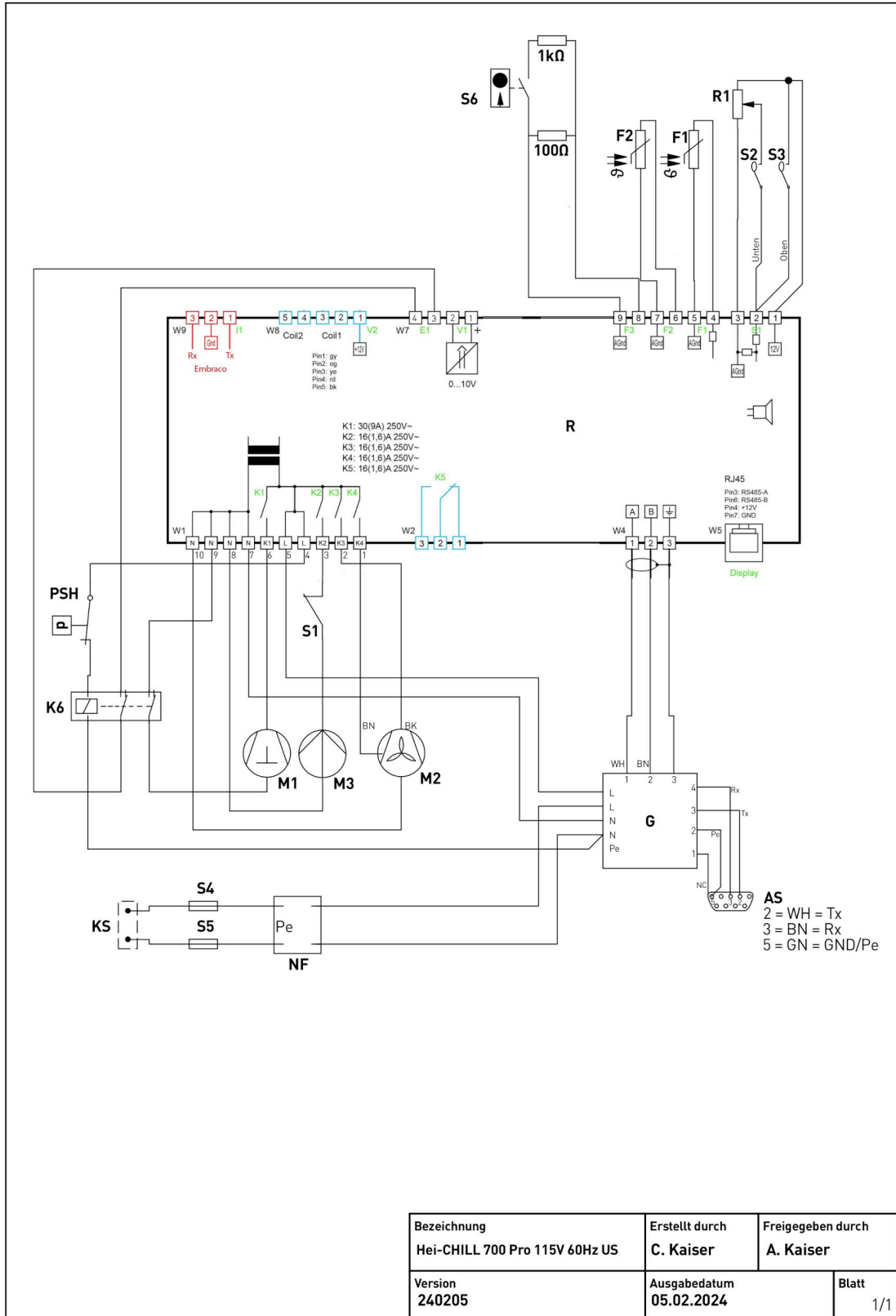
Bevollmächtigter für die Zusammenstellung der technischen Unterlagen: <i>Authorised representative for the compilation of the technical documentation:</i>	FRYKA-Kältetechnik GmbH, Ohmstraße 4, 73730 Esslingen, Deutschland Ralph Kaiser
--	---

Esslingen, 01.08.2023

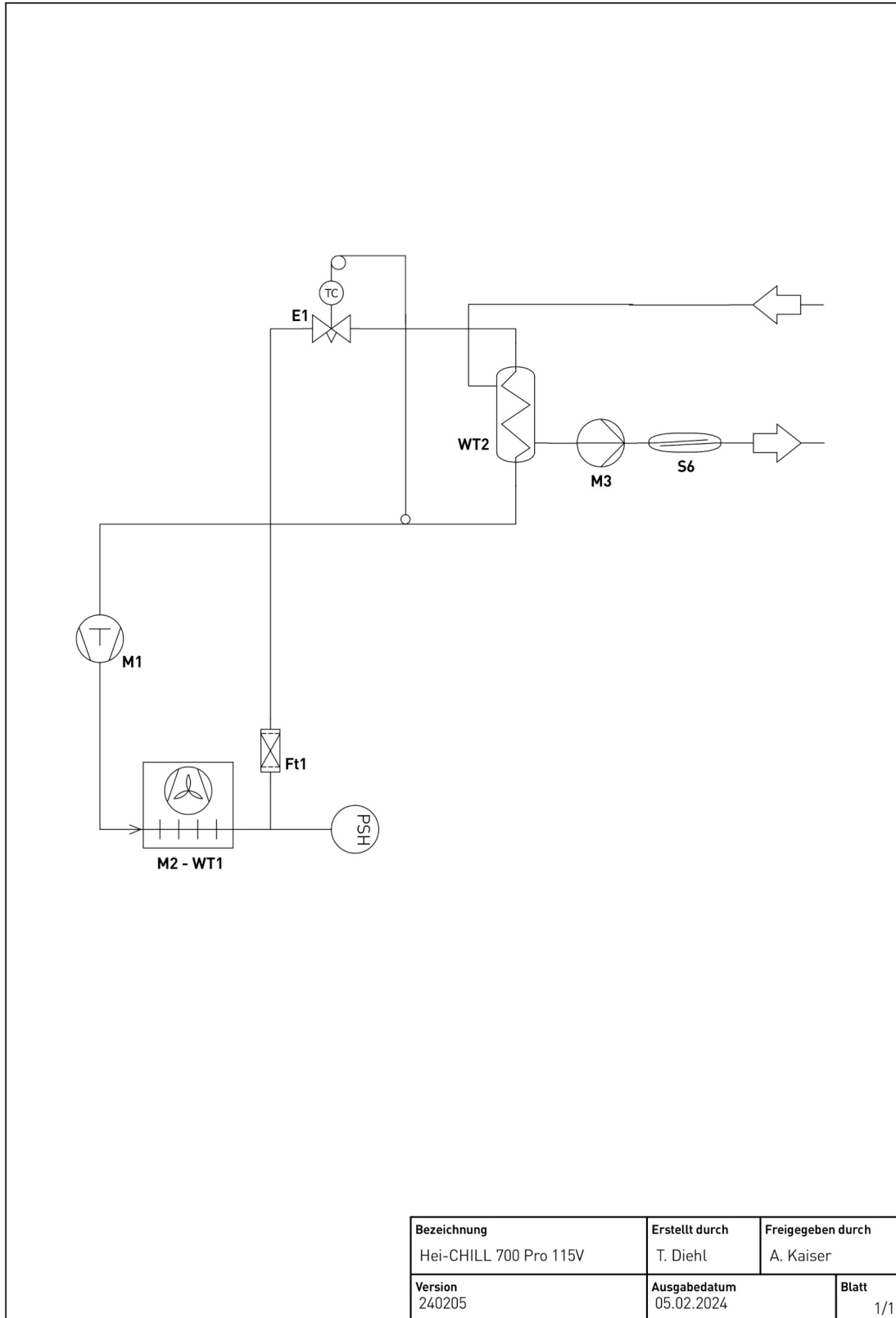


 Ralph Kaiser
 Geschäftsführer
(Managing director)

11.2 WIRING DIAGRAM



11.3 REFRIGERATION CIRCUIT



11.4 CHINA ROHS



CHINA ROHS DECLARATION OF CONFORMITY

FRYKA-Kältetechnik GmbH has made reasonable efforts to ensure that hazardous materials and substances may not be used in its products.

As defined in GB/T 26572 the "Maximum Concentration Value" limits (MCV) apply to these restricted substances:

- Lead (Pb): 0.1%
- Mercury (Hg): 0.1%
- Cadmium (Cd): 0.01%
- Hexavalent chromium (Cr(VI)): 0.1%
- Polybrominated biphenyls (PBB): 0.1%
- Polybrominated diphenyl ether (PBDE): 0.1%

Environmental Friendly Use Period (EFUP)

EFUP defines the period in years during which the hazardous substances contained in electrical and electronic products will not leak or mutate under normal operating conditions. During normal use by the user such electrical and electronic products will not result in serious environmental pollution, cause serious bodily injury or damage to the user's assets. The Environmental Friendly Use Period for FRYKA-Kältetechnik GmbH products is 25 years.



此表格是按照 SJ/T 11364-2014 中规定制定。
This table is created according to SJ/T 11364-2014

MATERIAL CONTENT DECLARATION FOR FRYKA-Kältetechnik GmbH PRODUCTS							
有毒有害物质或元素 Hazardous substances							
部件名称 Part name	铅 Pb	汞 Hg	铬 Cd	六价铬 Cr(VI)	多溴联苯 PBB	多溴二苯醚 PBDE	环保期限 标识 EFUP
包装 Packaging	0	0	0	0	0	0	
金属外壳 Metal housing	0	0	0	0	0	0	
控制器/测量设备 Controller / measuring device	0	0	0	0	0	0	
金属部件 Metal parts	X	0	0	0	0	0	
电子电气组件 Electrical and electronic parts	X	0	0	0	0	0	
配件 Accessories	X	0	0	0	0	0	
制冷部件 Refrigeration components	X	0	0	0	0	0	



注释：此表格适用于所有产品。以上列出的原件或组件不一定都属于所附产品的组成。

Note: Table applies to all products. Some of the components or parts listed above may not be part of the enclosed product.

- O: 表示该有毒有害物质在该部件所有均质材料中的含量均在GB/T 26572规定的限量要求以下。
O: Indicates that the above mentioned hazardous substance contained in all homogeneous materials of the part is below the required limit as defined in GB/T 26572.
- X: 表示该有毒有害物质至少在该部件某一均质材料中的含量超出GB/T 26572规定的限量要求。
X: Indicates that the above mentioned hazardous substance contained in at least one of the homogeneous materials of this part is above the required limit as defined in GB/T 26572.

除上表所示信息外，还需声明的是，这些部件并非是有意图用铅(Pb)、汞(Hg)、铬(Cd)、六价铬(Cr(VI))、多溴联苯(PBB)或多溴二苯醚(PBDE)来制造的。

Apart from the disclosures in the above table, the subassemblies are not intentionally manufactured or formulated with lead (Pb), mercury (Hg), cadmium (Cd), hexavalent chromium (CrVI), polybrominated biphenyls (PBB), and polybrominated diphenyl ethers (PBDE).

Products manufactured by FRYKA-Kältetechnik GmbH may enter into further devices or can be used together with other appliances .

With these products and appliances in particular, FRYKA-Kältetechnik GmbH will not take responsibility for the EFUP of those products and appliances.

Esslingen, 27.03.2024

Achim Kaiser
Chief Executive Officer CEO

11.5 CERTIFICATE OF DECONTAMINATION

To avoid damage during shipping:

- Only ship the device **well packaged**
- Only ship the device **upright**
- Only ship the device on a **pallet by shipping company**

CERTIFICATE OF DECONTAMINATION

Enclose the completed certificate of decontamination with the device you are returning to us. Returns without a certificate of decontamination cannot be processed!

SENDER	
Company	Name
Department	First name
Street	Phone
Post code	Email
City	
Country	

DEVICE DETAILS	
Device type	Serial no.
Remarks / fault description	

We hereby declare in a legally binding manner that

- the device has been completely emptied**
- the device has been decontaminated/disinfected and cleaned**
- there are no toxic, infectious or other hazardous substances in or on the device**
- there is no risk to persons or the environment from hazardous substances**

The sender is liable for any damage caused by incomplete or incorrect information.

_____	_____	_____	_____
Date	Name / Position	Signature	Company's stamp



© Heidolph Instruments GmbH & Co. KG

Doc-ID: 01-005-007-44-0 – Ed.: 2024-05-08

Subject to change without notice. The printed version of this document is not regularly updated. The latest issue of this document can be found by visiting our homepage.